

# Water in fuel emulsion system HDC

HDC-plant for Deutz TBD 16V632



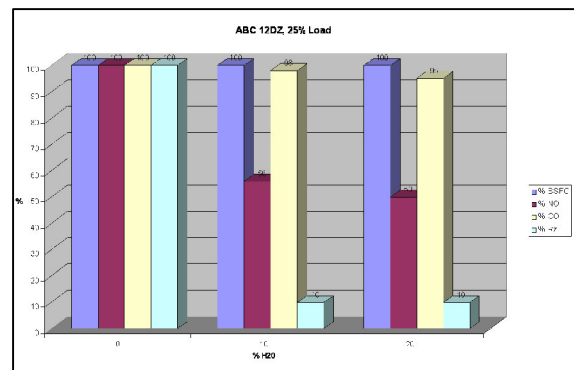
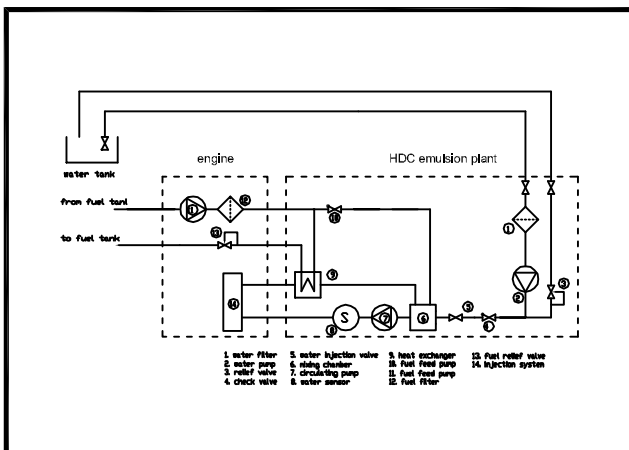
Effects of fuel-water emulsion:

- Reduction of NOx-emission.
- Strong reduction of smoke number at low water content.

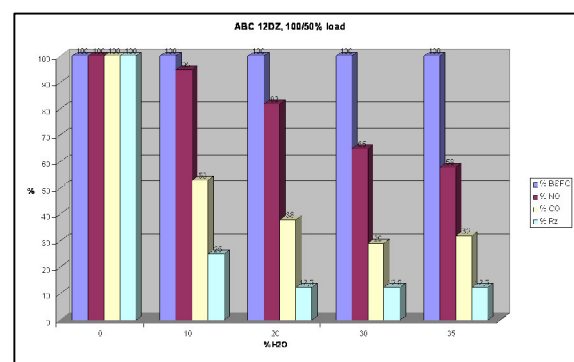
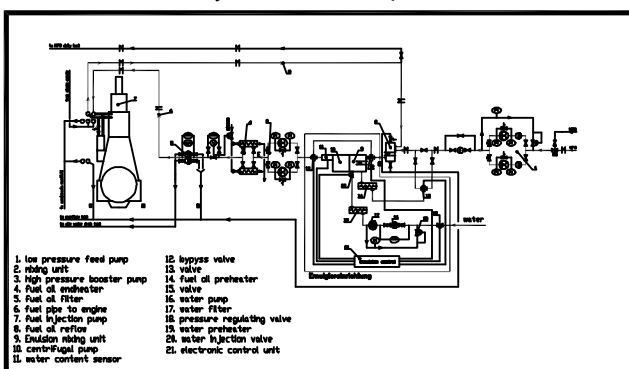
Features of the HDC-System:

- Emulsification by hydrodynamic effects - no wear of mechanical parts.
- Permanent emulsification by recirculation - no separation of water as long as the plant is active.
- Simple and compact design.
- Easy integration into existing engine room systems.
- Water content sensor integrated in the fuel system.
- Governing of water content in the fuel by microprocessor based control unit according to the demands of the engine (load, speed, etc.).
- Automated control of start and stop procedure.
- In case of emergency stop, automatic flushing of fuel system and recirculation of fuel-water mixture after restart of the engine

HDC-System for diesel fuel operation



HDC-System for HFO-operation



FMC Fiedler Motoren GmbH

info@FMC-Fiedler-Motoren.com www.FMC-Fiedler-Motoren.com